

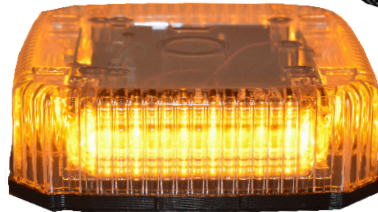
STAR EQUALIZER



9900LED

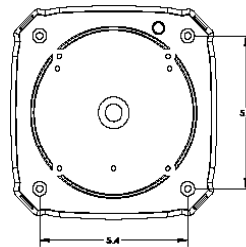
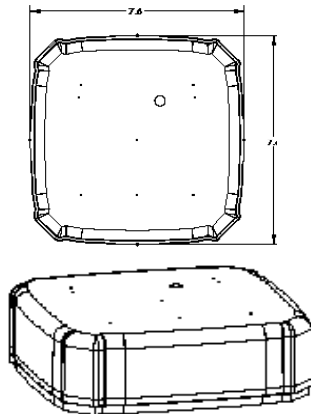


9900LEDV

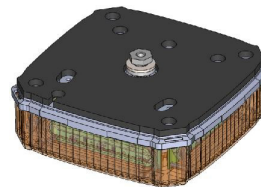


FEATURES & BENEFITS

- The smallest Minibar Star offers
- Four bright Lineum LED heads give you 360° coverage
- 12 customer selectable flash patterns in two phases plus steady-on
- S-Link 2.0 System™ synchronizing capabilities with other Star LED units
- Permanent mount and vacuum magnet mount with Pattern Select switch
- Patent #D977,357
- Dimensions: 2.3"H x 7.6"W x 7.6"D
- Voltage: 10-16V DC
- Amp draw: 1.2 amps (average)
- Dome color:
- LED color:
- Approvals: SAE Class I (amber)



4 hole mount with expansion nuts



Single bolt mount

PART	DESCRIPTION
9900LED	Star Equalizer LED Minibar, 10-16V permanent mount
9900LEDV	Star Equalizer LED Minibar, 10-16V vacuum mount with Pattern Select cig plug
9900LEDB	Star Equalizer LED Minibar, 10-16V single bolt mount

Warning: Cancer and Reproductive Harm - www.P65Warnings.ca.gov

SF219 Rev-C 05-11-2023

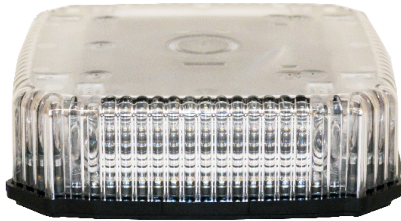


**FOR MORE INFORMATION
VISIT OUR WEBSITE.
STARSAFETYTECHNOLOGIES.COM**

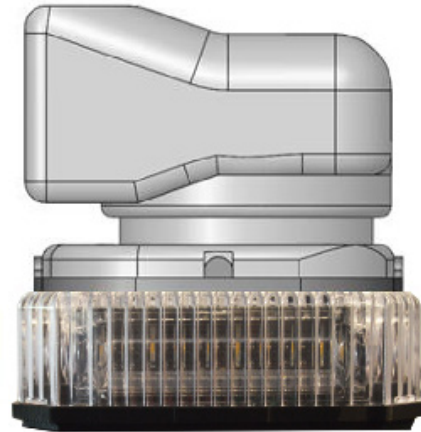
Star Safety Technologies, LLC
455 Rochester St., Avon, NY 14414
Phone: 585-226-9500 | Fax: 888-478-2797

STAR
Safety Technologies by *Crata*

STAR EQUALIZER



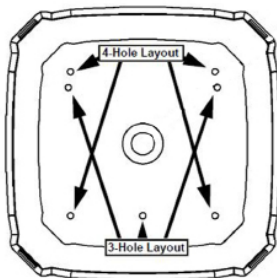
9901LED



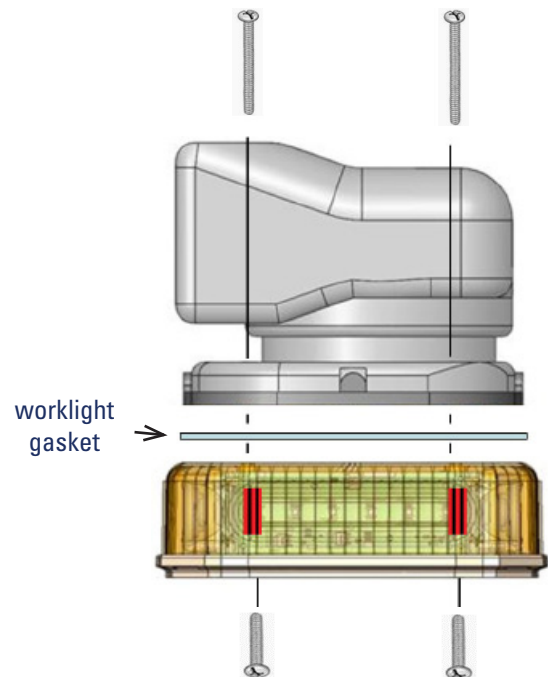
(worklight not included)

FEATURES & BENEFITS

- The smallest Minibar Star offers
- Four bright Lineum LED heads give you 360° coverage
- Comes with internal hex nuts for easy installation of your worklight, 3 or 4 hole configuration
- 12 customer selectable flash patterns in two phases plus steady-on
- S-Link 2.0 System™ synchronizing capabilities with other Star LED units
- Patent #D977,357
- Dimensions: 2.3"H x 7.6"W x 7.6"D
- Voltage: 10-16V DC
- Amp draw: 1.2 amps (average)
- Dome color:
- LED color:
- Approvals: SAE Class I (amber)



3 or 4 Hole worklight mount configuration



PART

DESCRIPTION

9901LED Star Equalizer LED Minibar, 10-16V permanent mount, with internal hex nuts for worklights

Warning: Cancer and Reproductive Harm - www.P65Warnings.ca.gov

SF219 Rev-C 05-11-2023



**FOR MORE INFORMATION
VISIT OUR WEBSITE.
STARSAFETYTECHNOLOGIES.COM**

Star Safety Technologies, LLC
455 Rochester St., Avon, NY 14414
Phone: 585-226-9500 | Fax: 888-478-2797

STAR
Safety Technologies by *Crata*